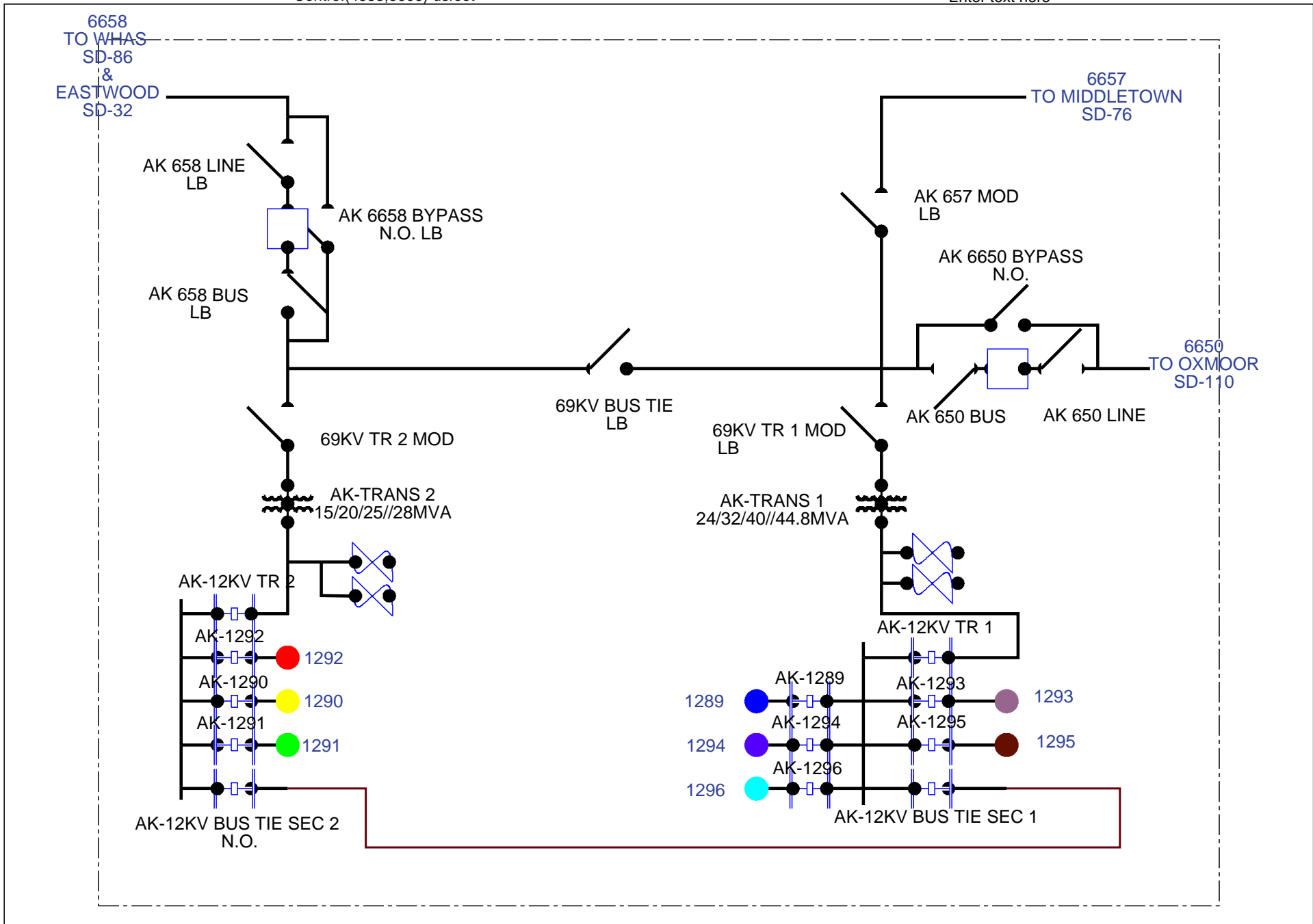


Unless otherwise indicated, all locations are taken from office records and must be verified in the field prior to any construction where there is a possibility of interference with existing KU/LG&E facilities exists.

Centre:(4583,3606) usfeet

Enter text here



NOTICE: © 2012 Geographic Data Technology, Inc. All rights reserved. This material is an unpublished work of Geographic Data Technology, Inc. You will be held liable for any unauthorized copying or disclosure of this material.

Plot Date: 09/25/2012



The information contained in/on this media is made without representation or warranty of any nature by LG&E and KU or any affiliated company, is not guaranteed by LG&E and KU or any affiliated company, and is furnished solely for the convenience of the contractor using it.



Scale 1:12900 Nelson, Dustin

Plot Date: 09/25/2012